

# 56"

## REMOTE CONTROL CEILING FAN WITH LIGHT

### Instruction Manual

SAFETY GUIDELINES AND INSTALLATION PROCEDURES



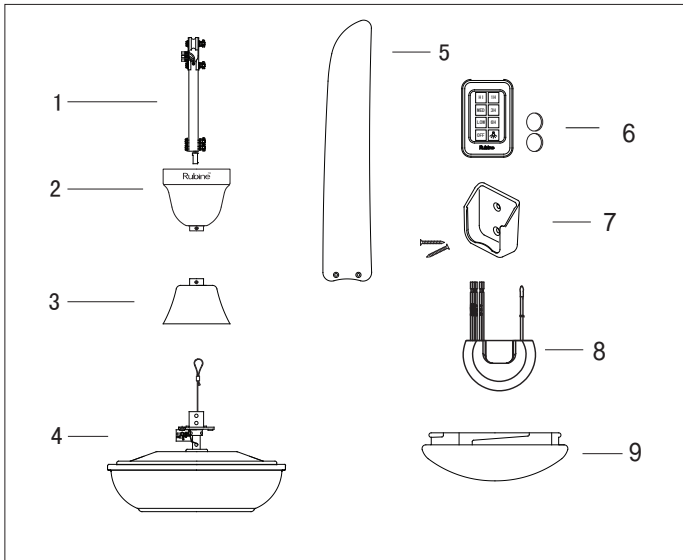
RCF-SP900-5BL

# WHAT YOU HAVE

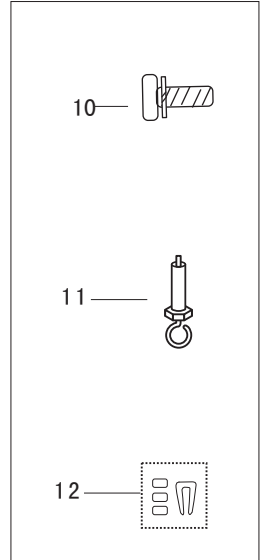
Please checkout following parts after opening the box:

PARTS	QUANTITY	PARTS	QUANTITY
1. DOWNROD	1	8. RF RECEIVER	1
2. TOP CANOPY	1	9. GLASS SHADE	1
3. COUPLING COVER	1		
4. FAN MOTOR & LED LAMP (7W)	1		
5. BLADES	5		
6. DIGITAL TOUCH SCREEN REMOTE (COMES WITH 3V BATT X2)	1		
7. REMOTE HOLDER WITH 2 MOUNTING SCREWS	1		
		<b>SCREW PACKAGE</b>	<b>QUANTITY</b>
		10. BLADE ATTACHMENT SCREWS	11
		11. EXPANSION J HOOK	1
		12. BALANCING KIT	1

## COMPONENTS



## SCREW PACKAGE



FAN SIZE	VOLTAGE	MAX. FAN POWER	LIGHT POWER	MAX SPEED (RPM)	PRODUCT WEIGHT	CARTON WEIGHT
56"	220-240V/50Hz	80W	7W Led	250+-10%	8.1kg	9.1kg

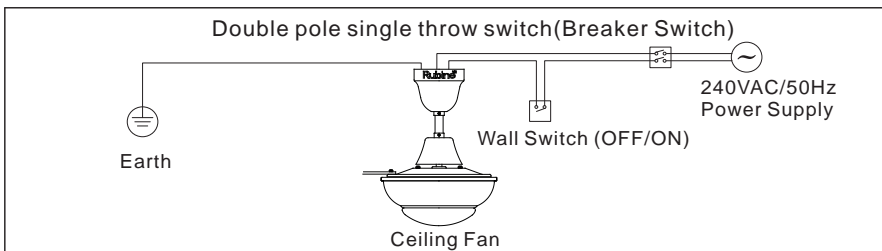
# WARNING

## A). TO ENSURE YOUR PERSONAL SAFETY, PLEASE READ THROUGH THE INSTRUCTION MANUAL BEFORE USE

- 1) Do not bend the blade holders during installation, blades balancing or fan cleaning.
- 2) To prevent accidents, power switch must be OFF before ceiling fan installation.
- 3) Ceiling fan installation and electrical wiring must be done by qualified technician in accordance with all applicable codes and air conditioning engineers (ASHRAE) or the local qualified authorities.
- 4) Be cautious when drilling the wall to avoid damaging electrical wiring and other hidden parts.
- 5) Ceiling fan must be hooked on concrete ceiling. Do not install the ceiling fan on plaster ceiling or any types of drywall ceilings. During ceiling fan installation, all screws must be tightened at all allocated parts.

## B). SAFETY GUIDELINES

- 1) Please do not install the ceiling fan at high humidity areas.
- 2) Distance between fan blades and ground must be at least 2.5 meter and above.
- 3) Do not touch fan blades with any objects when the ceiling fan is spinning.
- 4) To minimize the chances of electrical shock, power switch must be OFF before installing or dismantling the ceiling fan or any electrical wiring connection.
- 5) All electrical connections must conform to the national electrical safety codes. To prevent electrical shock, earth wire must be installed correctly (suitable for power supply of 240V AC/50Hz).
- 6) To ensure your personal safety and optimize functions of the ceiling fan, assembly and installation by qualified technician is highly recommended.
- 7) Only direct connection to wall switch is allowed. Please refer to diagram below.



- 8) This product is not provided with cord, plug or other means for disconnection from the supply. Connecting or changing power cord or lead wire, must be done by qualified personnel in order to avoid hazard.
- 9) This appliance is not intended for use by persons (including children) with reduced physical, sensory or mental capabilities, or lack of experience and knowledge, unless they have been given supervision or instruction concerning use of the appliance by a person responsible for their safety.
- 10) Children should be supervised to ensure that they do not play with the appliance.
- 11) The ceiling fan must be installed with means for disconnection incorporated in the fixed wiring (wall switch) in accordance with the wiring rules.

# INSTALLATION PROCEDURES

Before ceiling fan installation, please go through the procedures in detail with picture diagram as reference.

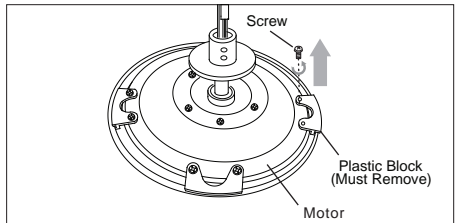
## STEP 1 ( See Diagram 1 )

Remove screws on plastic blocks. Put aside these screws for fan blade installation in Step 7.

### Note:-

1. Plastic blocks must be removed and discarded.

DIAGRAM 1



## STEP 2 (See Diagram 2)

- 1 ) Remove 1st hex-head screw along with the fixings (pin, metal nut, lock washer and metal washer) from the downrod.
- 2 ) Remove the pin on 2nd hex-head screw and loosen the other fixings.

## STEP 3 (See Diagram 3)

- 1 ) Loosen 2 screws on the motor coupling.
- 2 ) Insert the downrod through top canopy and coupling cover.
- 3 ) Thread the safety cable through the downrod.
- 4 ) Connect both wire and light connectors from downrod to fan motor.
- 5 ) Lock the downrod to the motor coupling, tighten up with 2 hex-head screws and fixings.
- 6 ) Tighten 2 screws on the motor coupling.
- 7 ) Slide down the coupling cover until it rest on top of the fan housing.

DIAGRAM 2

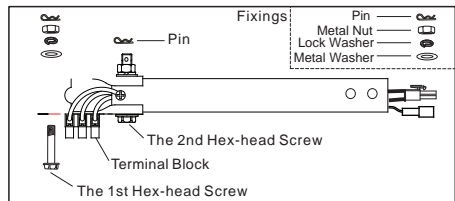
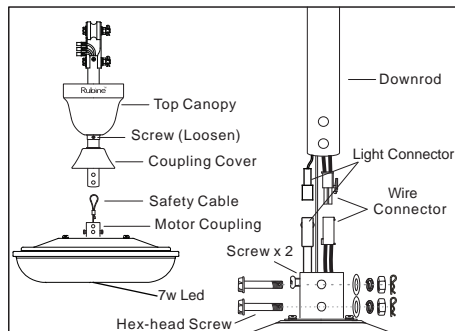


DIAGRAM 3



## STEP 4 (See Diagram 4)

- 1 ) Lift the fan until the hanging wheel seat on the mounted J hook.
- 2 ) Install the 1st hex-head screw together with fixings.
- 3 ) Tighten up the 2nd hex-head screw and fixing.

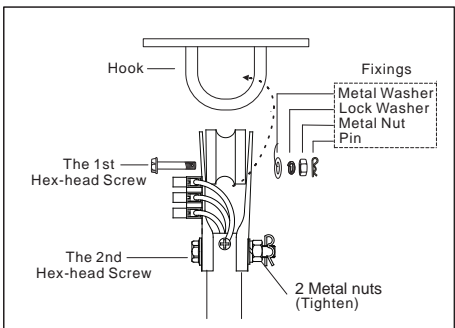
### Note:-

1. Remember to lock the pin after tightening hex-head screws.  
(2.5 Nm torque for hex-head screws and Metal Nut)
2. Hook must be installed on concrete ceiling.

### WARNING:


Installation without proper procedures as above mentioned might result to fan loosening or falling.

DIAGRAM 4



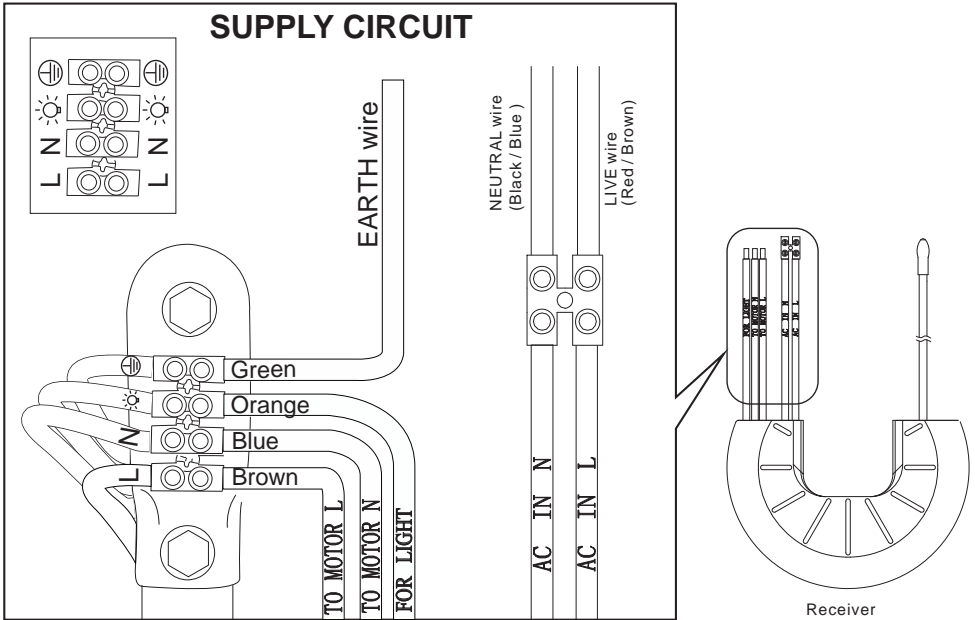
**STEP 5 (See Diagram 5)**

Connect wiring as below:-


**Connect the Motor Wiring to Receiver first!**

FROM		TO	
Receiver	Brown Wire (TO MOTOR L)	Terminal Block (marked “L”)	
Receiver	Blue Wire (TO MOTOR N)	Terminal Block (marked “N”)	
Receiver	(Orange Wire) (FOR LIGHT)	Terminal Block (marked “☀”)	
Ceiling	Green Wire (Incoming EARTH Wire)	Terminal Block (marked “⊕”)	
Ceiling	Red / Brown Wire (Incoming LIVE Wire)	Receiver	Red Wire (AC in L)
Ceiling	Black / Blue Wire (Incoming NEUTRAL Wire)	Receiver	Black Wire (AC in N)

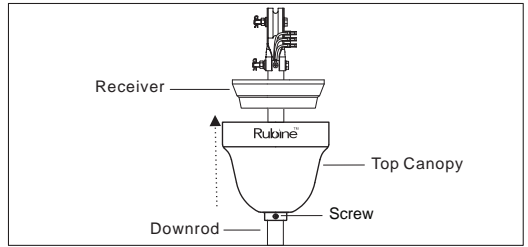
DIAGRAM 4



## STEP 6 ( See Diagram 6 )

Fit the connected receiver into top canopy. Then, tighten the screw on downrod.

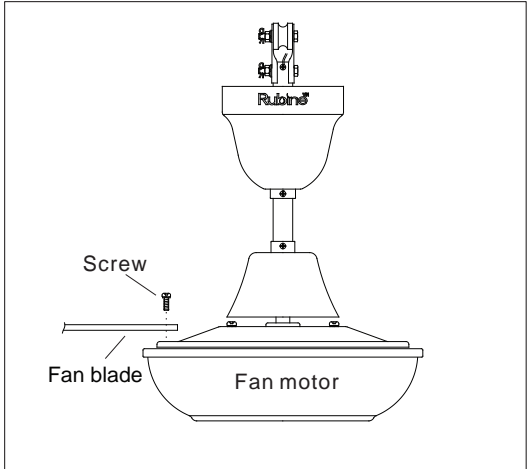
DIAGRAM 6



## STEP 7 ( See Diagram 7 )

Tighten the fan blade onto the motor housing by using the screws which you removed from the plastic plate in Step 1. Repeat proces for the other fan blades. Make sure all the screws are tighten.

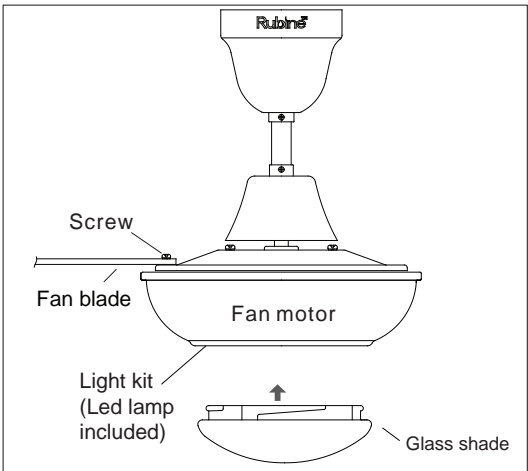
DIAGRAM 7



## STEP 8 ( See Diagram 8 )

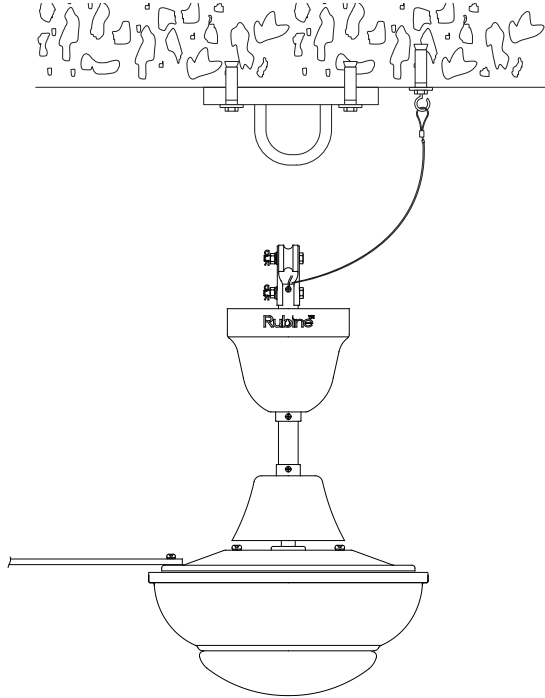
Install the glass shade by twisting clockwise ( To unlock, twist anticlockwise).

DIAGRAM 8



**WARNING!**

FASTEN THE SAFETY CABLE TO THE MOUNTED J HOOK FOR SAFETY PURPOSES.



## SAFETY TIPS

Please ensure the distance between fan blade and ground must be at least 2.5 meter and above.

