

# 56" CEILING FANS

## Instruction Manual

SAFETY GUIDELINES AND INSTALLATION PROCEDURES



## RCF-ECO-5B

(DC1725-502-BC)

(DC1725-502-WC)

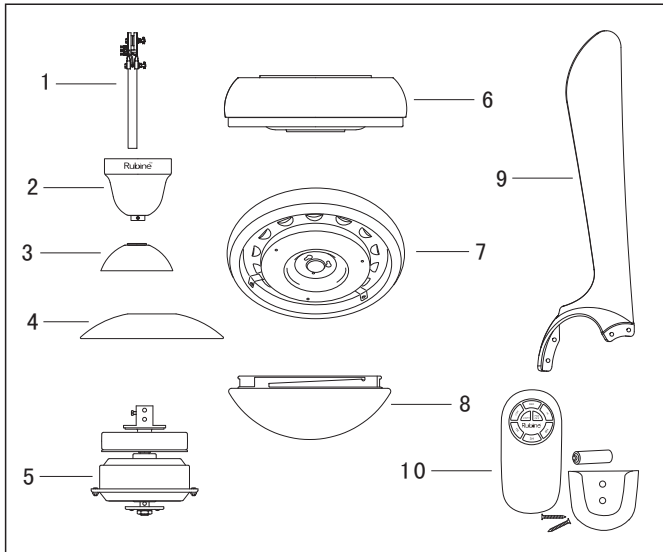
(DC1725-502-MB)

# WHAT YOU HAVE

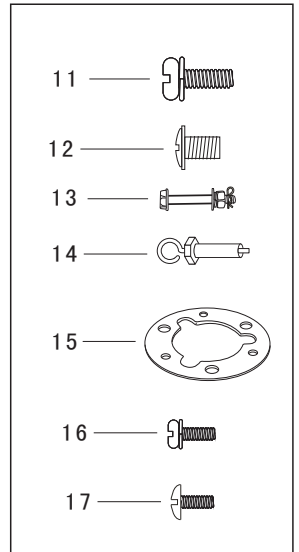
Please checkout following parts after opening the box

PARTS	QUANTITY	SCREW PACKAGE	QUANTITY
1. DOWNROD (WOBBLE-FREE ASSEMBLY)	1	11. BLADE HOLDER SCREWS	6
2. TOP CANOPY	1	12. BLADE ATTACHMENT SCREWS	21
3. COUPLING COVER	1	13. HEX-HEAD SCREWS	2
4. TOP HOUSING COVER	1	14. EXPANSION J HOOK	1
5. DC MOTOR WITH RECEIVER	1	15. MOUNTING RING	1
6. FLY WHEEL	1	16. LOCK WASHER SCREWS	3
7. LIGHT KIT PLATE	1	17. FLAT HEAD SCREWS	3
8. METAL COVER	1		
9. BLADES	5		
10. TRANSMITTER WITH 12V BATTERY, HOLDER AND 2 MOUNTING SCREWS	1		

## COMPONENTS



## SCREW PACKAGE



FAN SIZE	VOLTAGE	MAX. FAN POWER	MAX. SPEED (RPM)	PRODUCT WEIGHT	CARTON WEIGHT
56"	220~240V/50Hz	47.7W	160±10%	8.74kgs	10.82kgs

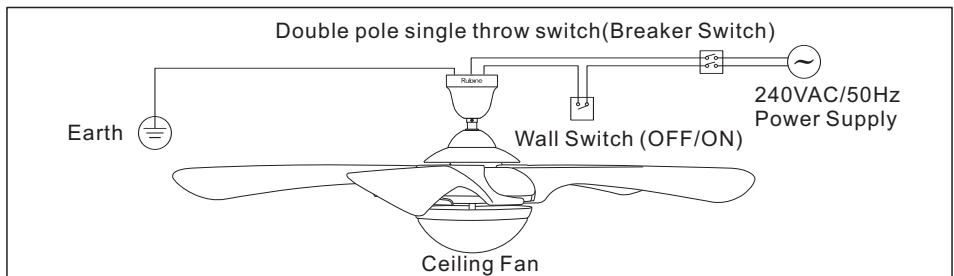
# WARNING

## A ). TO ENSURE YOUR PERSONAL SAFETY, PLEASE READ THROUGH THE INSTRUCTION MANUAL BEFORE USE

- 1 ) Do not bend the blade holders during installation, blades balancing or fan cleaning.
- 2 ) To prevent accidents, power switch must be OFF before ceiling fan installation.
- 3 ) Ceiling fan installation and electrical wiring must be done by qualified technician in accordance with all applicable codes and air conditioning engineers (ASHRAE) or the local qualified authorities.
- 4 ) Be cautious when drilling the wall to avoid damaging electrical wiring and other hidden parts.
- 5 ) Ceiling fan must be hooked on concrete ceiling. Do not install the ceiling fan on plaster ceiling or any types of drywall ceilings. During ceiling fan installation, all screws must be tightened at all allocated parts.

## B ). SAFETY GUIDELINES

- 1 ) Please do not install the ceiling fan at high humidity areas.
- 2 ) Distance between fan blades and ground must be at least 2.3 meter and above.
- 3 ) Do not touch fan blades with any objects when the ceiling fan is spinning.
- 4 ) To minimize the chances of electrical shock, power switch must be OFF before installing or dismantling the ceiling fan or any electrical wiring connection.
- 5 ) All electrical connections must conform to the national electrical safety codes. To prevent electrical shock, earth wire must be installed correctly (suitable for power supply of 240V AC/50Hz).
- 6 ) To ensure your personal safety and optimize functions of the ceiling fan, assembly and installation by qualified technician is highly recommended.
- 7 ) Only direct connection to wall switch is allowed. Please refer to diagram below.



- 8 ) This product is not provided with cord, plug or other means for disconnection from the supply. Connecting or changing power cord or lead wire, must be done by qualified personnel in order to avoid hazard.
- 9 ) This appliance is not intended for use by persons (including children) with reduced physical, sensory or mental capabilities, or lack of experience and knowledge, unless they have been given supervision or instruction concerning use of the appliance by a person responsible for their safety.
- 10 ) Children should be supervised to ensure that they do not play with the appliance.
- 11 ) The appliance is fitted with means for disconnection from the supply mains having a contact separation in all poles that provide full disconnection under overvoltage category III conditions, and these means must be incorporated in the fixed wiring in accordance with the wiring rules.

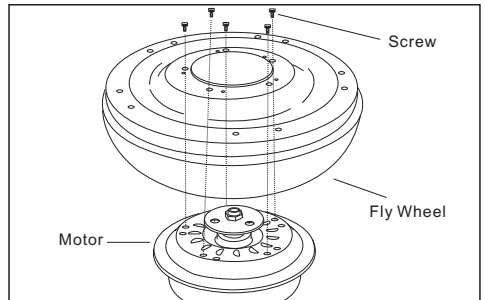
# INSTALLATION PROCEDURES

Before ceiling fan installation, please go through the procedures in detail with picture diagrams as reference.

## STEP 1 (See Diagram 1)

- 1) Attach the fly wheel to motor.
- 2) Align fly wheel screw holes with motor screw holes.
- 3) Install blade holder screws in the screw package. Tighten up all the screws.

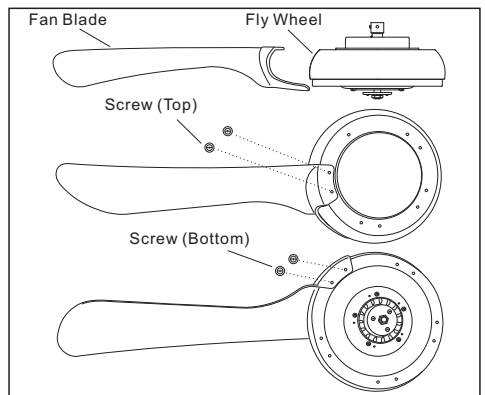
DIAGRAM 1



## STEP 2 (See Diagram 2)

- 1) Install fan blades to the fly wheel.
- 2) Align the screw holes on the fan blade and fly wheel.
- 3) Tighten up 2 blade attachment screws on the bottom of the fly wheel.
- 4) Then tighten up 2 blade attachment screws on the top of the fly wheel.
- 5) Repeat same step on all the remaining fan blades.

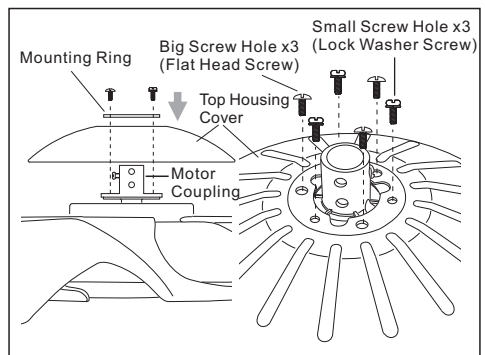
DIAGRAM 2



## STEP 3 (See Diagram 3)

- 1) Attach the top housing cover to the motor coupling and align the 3 small screw holes on the top housing cover.
- 2) Attach the mounting ring to the top housing and align the 3 big screw holes on the top housing cover.
- 3) After all the 6 screw holes are aligned, tighten the top housing cover and mounting ring and motor coupling by using the 3 flat head screws and 3 x lock washer screws provided in the hardware package.

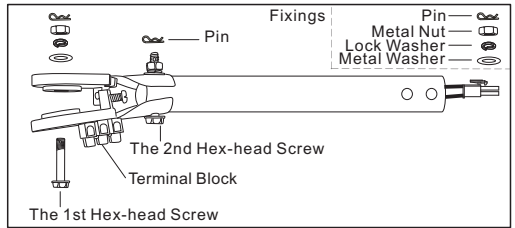
DIAGRAM 3



### STEP 4 (See Diagram 4)

- 1 ) Remove the 1st hex-head screw along with the fixings (pin, metal nut, lock washer and metal washer) from the downrod.
- 2 ) Remove the pin on 2nd hex-head screw and loosen the other fixings.

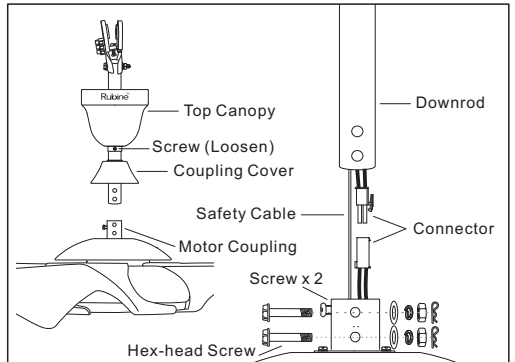
DIAGRAM 4



### STEP 5 (See Diagram 5)

- 1 ) Loosen the screw on the top canopy.
- 2 ) Insert the downrod through top canopy and coupling cover.
- 3 ) Thread the safety cable through the downrod.
- 4 ) Connect both connectors from the downrod and fan motor.
- 5 ) Lock the downrod to the motor coupling, tighten up with 2 hex-head screws and fixings.
- 6 ) Tighten 2 screws on the motor coupling.
- 7 ) Slide down the coupling cover until it rest on top housing cover.

DIAGRAM 5



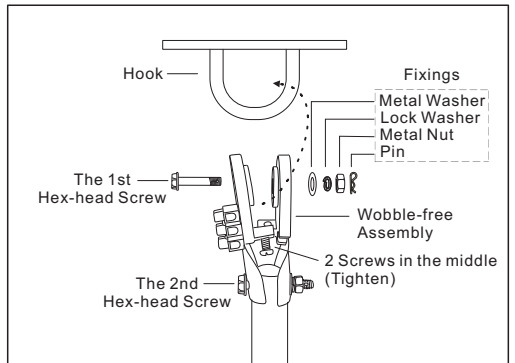
### STEP 6 (See Diagram 6)

- 1 ) Lift the wobble-free assembly onto the mounted hook.
- 2 ) Install the 1st hex-head screw together with fixings.
- 3 ) Tighten up the 2nd hex-head screw and fixing.
- 4 ) Tighten the 2 screws in the middle of wobble-free assembly.

#### Note:-

1. Remember to lock the pin after tightening hex-head screws.
2. Hook must be installed on concrete ceiling.

DIAGRAM 6



### WARNING:

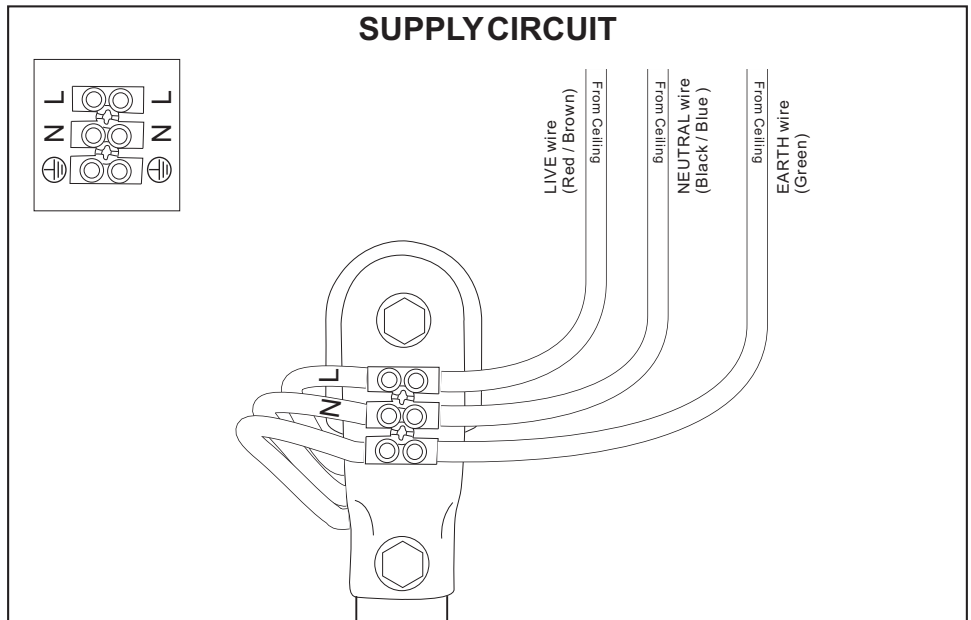
Installation without proper procedures as above mentioned might result to fan loosening and falling.

### STEP 7 (See Diagram 7)

Connect wiring as below:-

	FROM	TO
Ceiling	Red / Brown Wire (Incoming LIVE Wire)	Terminal Block (marked "L" )
Ceiling	Black / Blue Wire (Incoming NEUTRAL Wire)	Terminal Block (marked "N" )
Ceiling	Green Wire (Incoming EARTH Wire)	Terminal Block (marked "⊕")

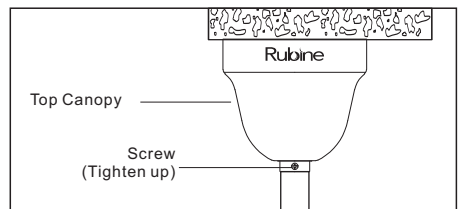
DIAGRAM 7



### STEP 8 (See Diagram 8)

Tug the top canopy to ceiling and tighten up the screw on down rod to secure the top canopy.

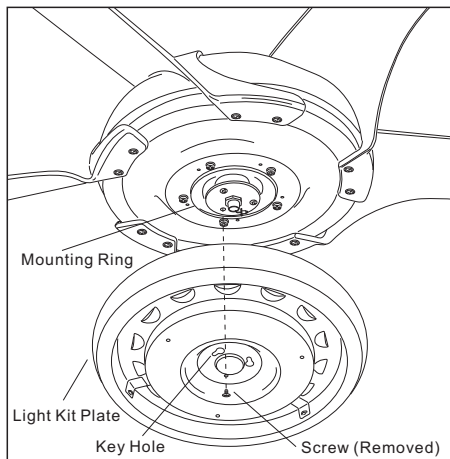
DIAGRAM 8



### STEP 9 (See Diagram 9)

- 1) Remove 1 screw from the mounting ring and loosen the other 2 (Do not remove).
- 2) Place the key hole of light kit plate through the 2 loosened screws and twist to lock in place.
- 3) Tighten up all screws including the one removed earlier.

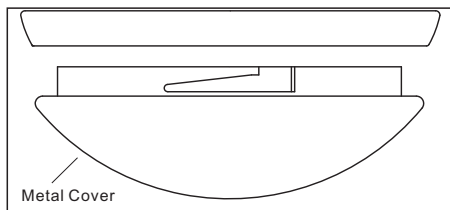
DIAGRAM 9



### STEP 10 (See Diagram 10)

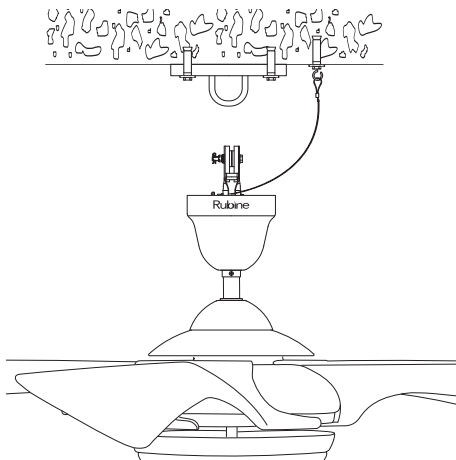
Install the metal cover by twisting tightly.

DIAGRAM 10



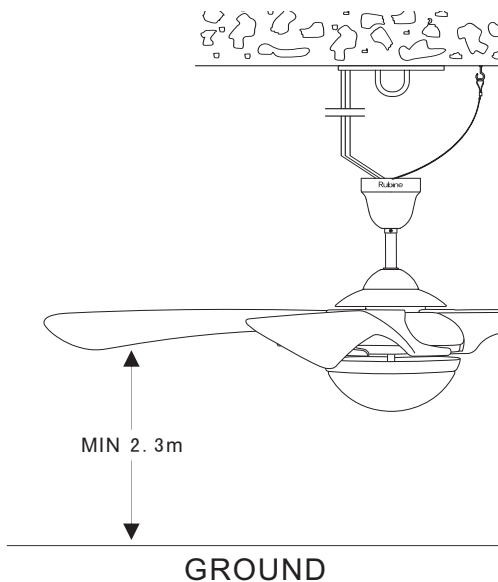
## WARNING!

FASTEN THE SAFETY CABLE TO THE MOUNTED EXPANSION J HOOK FOR SAFETY PURPOSES.



## SAFETY TIPS:

Please ensure the distance between fan blades and ground must be at least 2.3 meter and above.



GROUND



# 56"

# 吊扇

## 安装手册

安全注意事项和安装程序



## RCF-ECO-5B

(DC1725-502-BC)

(DC1725-502-WC)

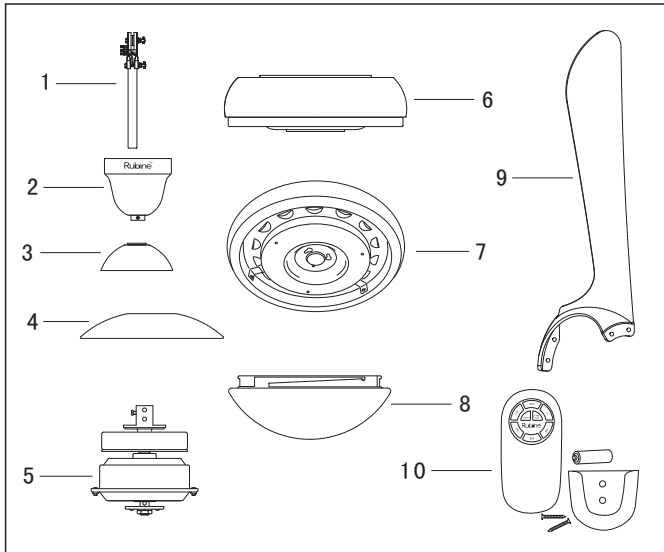
(DC1725-502-MB)

# 配件明细

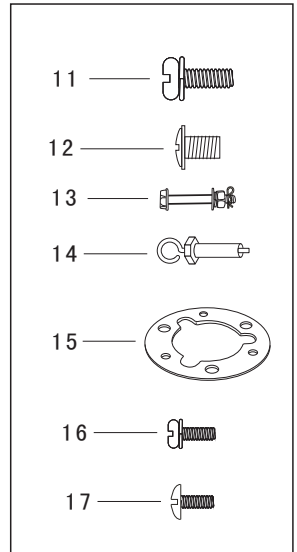
拆箱后，请逐一清点以下零件

零件	数量	配件包	数量
1. 吊杆 (吊挂系统)	1	11. 叶架螺丝	6
2. 吊盅	1	12. 叶片螺丝	21
3. 接头盖	1	13. 螺栓	2
4. 马达上罩	1	14. 安全J勾	1
5. DC马达附接收器	1	15. 补强板	1
6. 中圈	1	16. 带弹介螺丝	3
7. 灯盘	1	17. 伞头螺丝	3
8. 金属外罩	1		
9. 叶片	5		
10. 发射器附1粒电池,壁座和2颗螺丝	1		

## 元 件



## 配件包



尺寸	電壓/頻率	風扇最大功率	最大轉速	淨重	毛重
56"	220~240V/50Hz	47.7W	160±10%	8.74kgs	10.82kgs

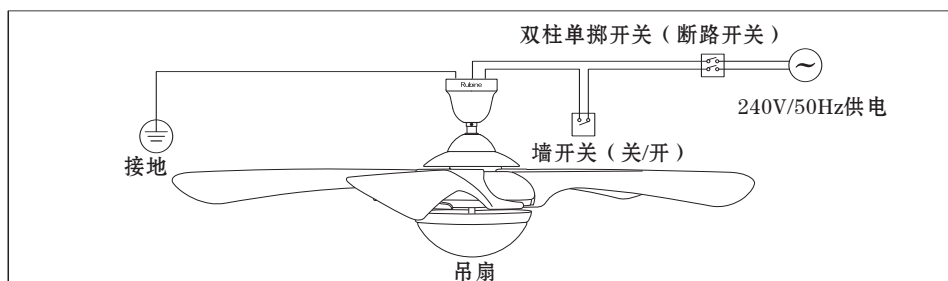
# 警 告

## A) 为了确保您的人身安全，使用前请详细阅读说明书

1. 在安装叶架，平衡叶片或清洁风扇的时候，不能将叶架弯曲。
2. 安装此吊扇前必须关闭电源开关，以免造成意外。
3. 此吊扇的安装和接电应由技术熟练的电工完成。
4. 注意钻墙的时候不要损坏电线和其它隐藏的零件。
5. 吊扇必须悬挂在坚定稳固的天花板上，吊扇安装时，各部分螺丝必须锁牢。

## B) 安全注意事项

1. 请不要将吊扇安装在潮湿的地方。
2. 安装吊扇时，叶片至少离地面2.3米高处，以防与叶片发生意外碰触。
3. 吊扇运转时，请不要用任何物品碰触叶片，以免危险。
4. 为了减少触电事故发生，安装电线或拆装风扇前请及时关电源开关。
5. 所有的接电必须符合国家安全要求的标准，为了避免意外触电，确保吊扇接地线生效（适用于240V供电）。
6. 为了确保您的安全和产品的使用达到最佳效果，建议要技术熟练的技工来安装此风扇。
7. 只允许直接连接墙开关，请参考下图。



8. 本产品没有提供插头或其他绝缘体，连接或更换电线的时候，建议请资深的技工操作，以免造成危险。
9. 本产品不打算由这些人（包括儿童）来使用：身体上，感觉上或者精神上有缺陷者，或缺乏经验和知识者。除非他们得到了在对其安全负责的人关于该项产品使用的监护或指导（对所有产品）。
10. 儿童应当受到监督以确保其不会玩耍器具（对所有产品）
11. 本产品已配有双极断开装置(过电压等级III条下)，按布线规则，其连接的固定布线必须配有这样的断开装置。

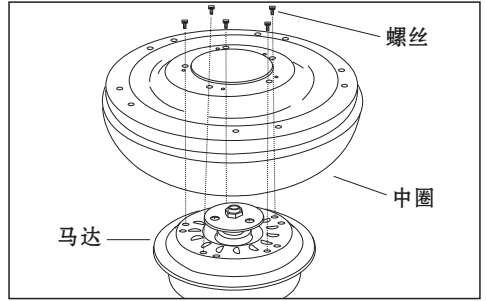
# 安 装 程 序

为了确保顺利安装此吊扇，请仔细阅读以下步骤，并参照插图。

## 步骤1（图1）

- 1) 把中圈装到马达上。
- 2) 对准中圈和马达上的螺丝孔。
- 3) 用配件包里的叶架螺丝把中圈固定，锁紧所有螺丝。

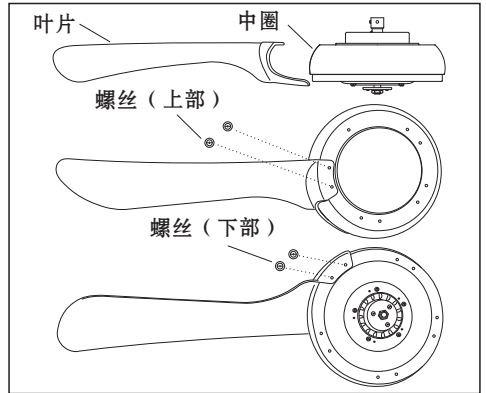
图1



## 步骤2（图2）

- 1) 把叶片装到中圈上。
- 2) 对准叶片和中圈上的螺丝孔。
- 3) 用叶片螺丝从中圈底部把叶片底部固定。
- 4) 再锁叶片上面的螺丝。
- 5) 按以上步骤安装剩余叶片。

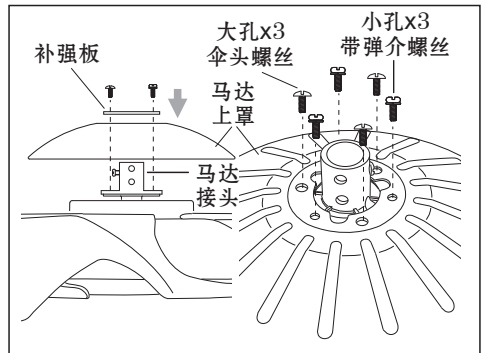
图2



## 步骤3（图3）

- 1) 安装马达上罩的马达接头，并使马达上罩的3个小螺丝孔对齐马达接头上相对应的螺丝孔。
- 2) 安装补强板到马达上罩，并使补强板上的3个大螺丝孔对齐马达上罩上相对应的大螺丝孔。
- 3) 所有螺丝孔一一对齐后，用螺丝包提供的3个伞头螺丝和3个带弹介螺丝包补强板和马达上罩锁紧在马达接头上。

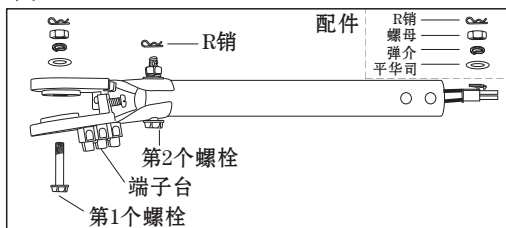
图3



#### 步骤4 (图4)

- 1) 把吊杆上第一个螺栓和其他配件一起拆下 (R销, 螺母, 弹介和平华司)。
- 2) 把第二个螺栓上的R销拆下, 松开其他配件。

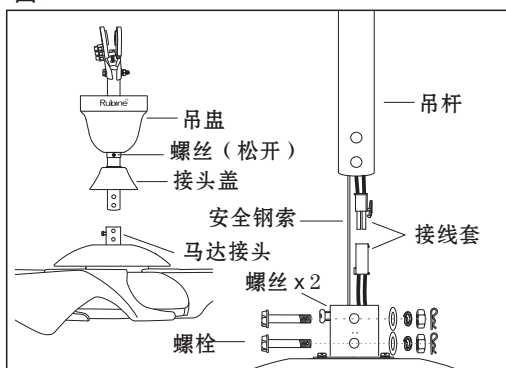
图4



#### 步骤5 (图5)

- 1) 松开马达接头上的2颗预锁螺丝。
- 2) 将吊杆穿入吊盅和接头盖。
- 3) 将安全钢索穿过吊杆。
- 4) 把马达上的接线套接到吊杆的接线套上。
- 5) 将吊杆套入马达接头处, 对准孔, 用配件包里的螺栓锁上。
- 6) 锁紧之前松开的螺丝。
- 7) 把接头盖移至马达的上端。

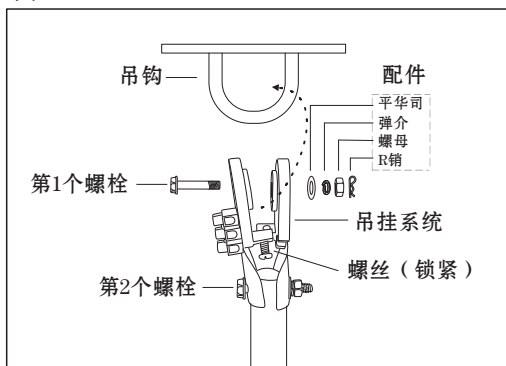
图5



#### 步骤6 (图6)

- 1) 将吊扇挂在已装紧的吊钩上。
- 2) 装上之前拆下的第一个螺栓和其他配件。
- 3) 拧紧第二个螺栓上的配件。
- 4) 拧紧吊挂系统上的2颗螺丝。

图6



注意: -

1. 记得插上R销
2. 吊钩必须安装在坚固的天花板上

## 警告

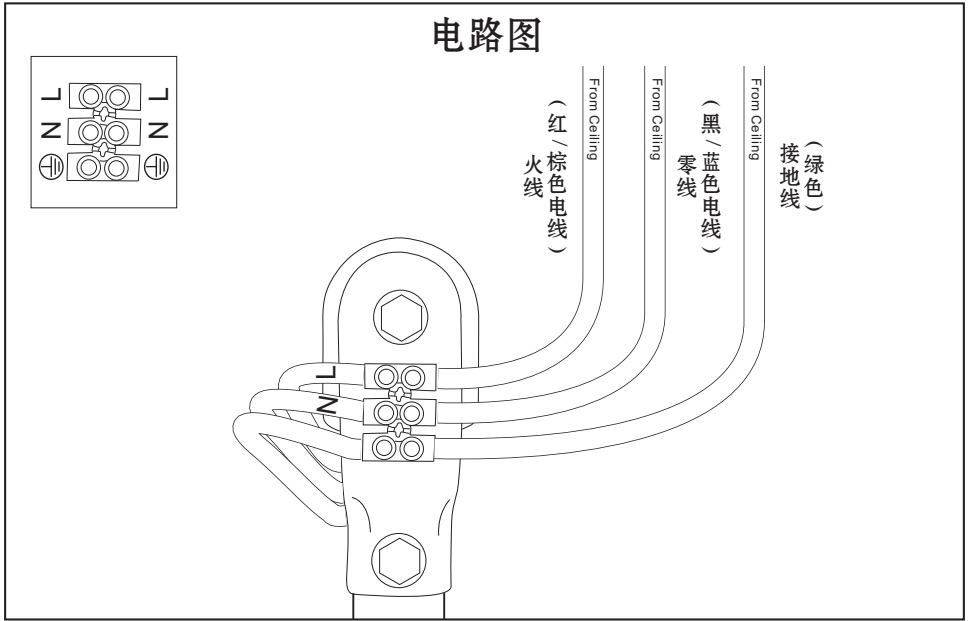
如果没有按照上面指示把吊杆装紧, 有可能导致吊扇下坠。

步骤7 (图7)

接线如下：-

出线		接线
天花板	红色 / 棕色 (天花板火线)	端子台 (标注 “L” )
天花板	黑色 / 蓝色 (天花板零线)	端子台 (标注 “N” )
天花板	绿色 (天花板地线)	端子台 (标注 “Ⓧ” )

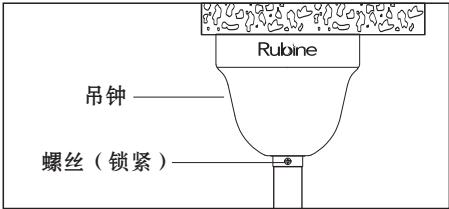
图7



步骤8 (图8)

把吊钟移至吊杆上端，使吊钟与天花板贴紧，锁紧螺丝并把吊钟固定。

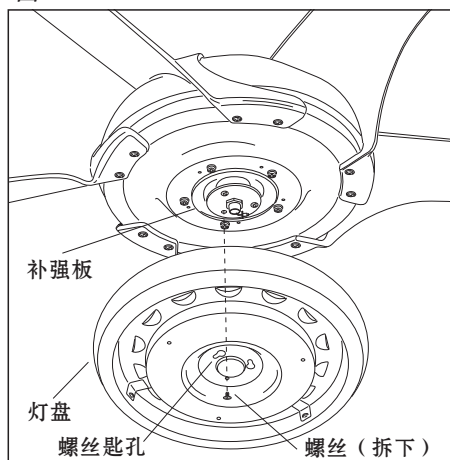
图8



### 步骤9 (图9)

- 1) 从补强板上取下1颗螺丝，松开另外2颗。
- 2) 将灯盘上的2个螺丝匙孔对准松开的螺丝，锁紧螺丝。
- 3) 再将取下的螺丝装上，确保锁紧所有螺丝。

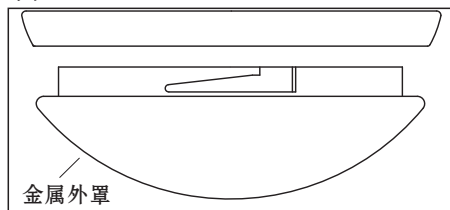
图9



### 步骤10 (图10)

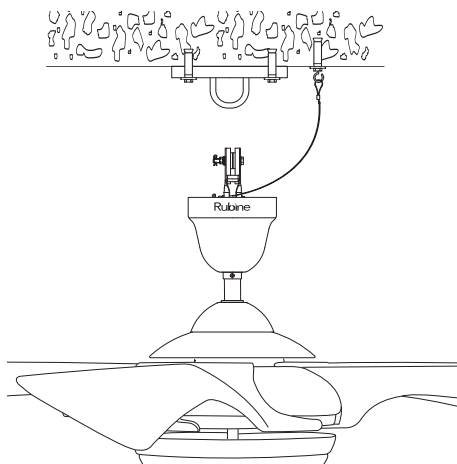
装上金属外罩，并拧紧。

图10



# 警 示

为了安全起见，请把安全吊钩装紧在天花板上，再把安全钢丝挂在吊钩上。



# 注 意

安全起见，请确保叶片距离地面至少2.3米或以上。

